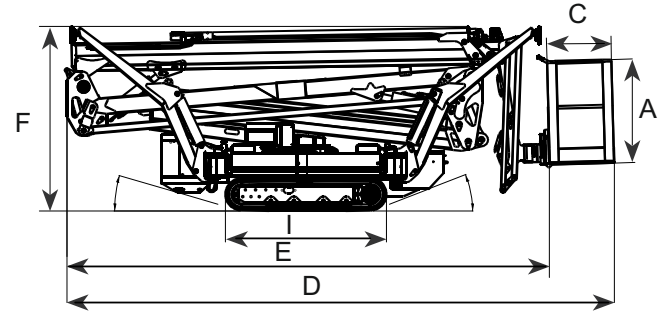
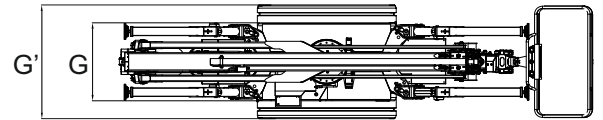




PERFORMANCE	
WORKING HEIGHT	23.50 m
HORIZONTAL OUTREACH (230 KG.)	12.00 m
UP AND OVER CLEARANCE	11.00 m
CAGE CAPACITY	230 Kg
MOVABLE JIB	90°
CAGE ROTATION	160°
TURRET ROTATION	440°
GRADEABILITY	30%
SLOPE ANGLE (α)	21° - 16°
TRAVEL SPEED	1.0-2.0 Km/h

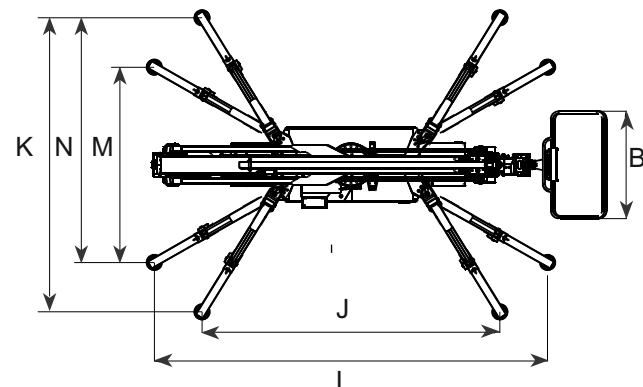


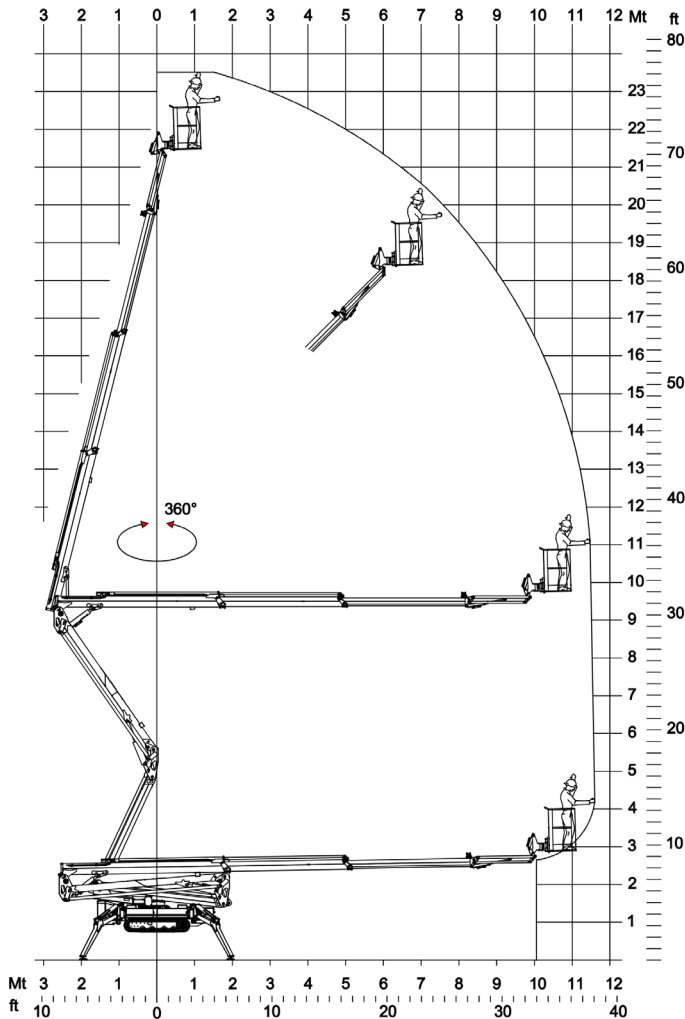
MEASURES	
CAGE HEIGHT (A)	1.10 m
CAGE LENGTH (B)	1.40 m
CAGE WIDTH (C)	0.70 m
LENGTH (D)	5.90 m
LENGTH WITHOUT CAGE (E)	5.20 m
HEIGHT (TRAVELLING POSITION) (F)	2.00 m
WIDTH, MIN (G)	0.99 m
WIDTH, MAX (G')	1.44 m
GROUND CLEARANCE (H)	0.20 m
TRACK (L x W) (I)	1.75 x 0.23 m
LENGTH OUTRIGGER STANDARD (J)	3.90 m
WIDTH OUTRIGGER STANDARD (K)	3.80 m
LENGTH OUTRIGGER NARROW (L)	5.10 m
WIDTH OUTRIGGER NARROW (M)	2.50 m
WIDTH OUTRIGGER MEDIUM (N)	3.20 m
OUTRIGGER PLATE (\emptyset)	0.20 m



WEIGHT	
TOTAL WEIGHT	3250 Kg
TRAVEL CONFIGURATION PRESSURE	3.50 kN/m ²
WORK CONFIGURATION PRESSURE	1.95 kN/m ²
MAX OUTRIGGER FORCE	20.6 kN

POWER SOURCES	
STANDARD Diesel Engine	12.5 kW
STANDARD Electric Motor	110/230V - 2.3 kW
OPTIONAL Lithium Battery	48V - 100 Ah
FUEL TANK CAPACITY Diesel Engine	16 l
OIL TANK CAPACITY	50 l





CHASSIS

- Powerful track drive with hydraulic braking system
- Precise manoeuvring over sensitive radio control
- Rubber tracks with specially arranged profile providing optimum grip

STABILISATION

- Variable outrigger system with one side or both sides narrow or wide setup option

BOOM SYSTEM

- Double pantograph
- Telescopic upper booms
- Articulated Jib 90°
- Turnable basket 160°
- Electric proportional and radio controls
- Hydraulic cage self levelling system
- Turret rotation with slewing ring

POWER SOURCES

- 110V (US) / 230V (EU) electric motor
- 12.5 kW Kubota diesel engine with electronically regulated engine control
- Start/ Stop device for the engine in the cage

PRODUCTIVITY, SAFETY & QUALITY

- 110V (US) / 230V (EU) power socket in the cage
- High quality paint in RAL 9003 & RAL 2001
- Hand pump for emergency lowering
- Cables and hoses safely routed through the boom structure
- Lock valves on hydraulic cylinders
- Relief valves protecting the hydraulic system from too high pressures
- Protective covers for all components
- Hour meter

OPTIONS

- Battery drive (lithium) 48V 100 Ah (RA24HY)
- Outrigger self levelling system
- Outrigger pads
- Non marking rubber tracks
- Custom paintwork